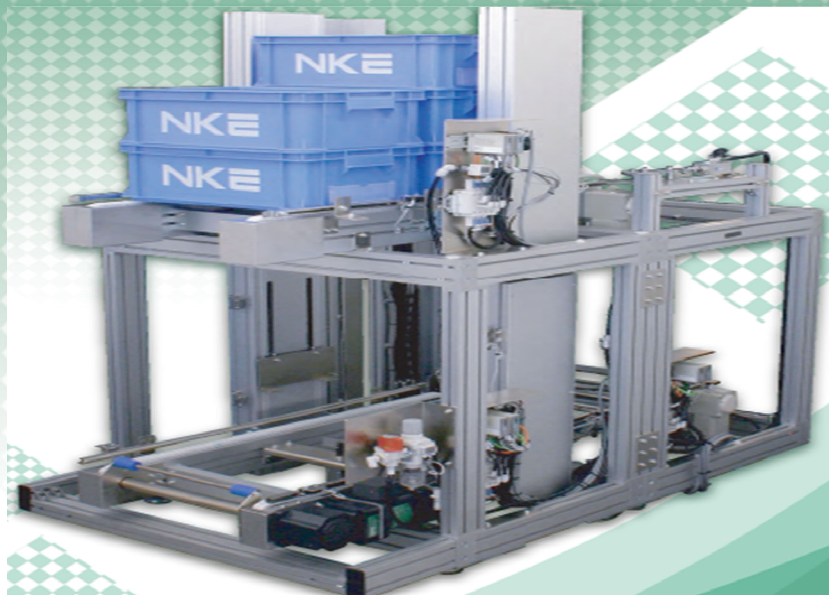


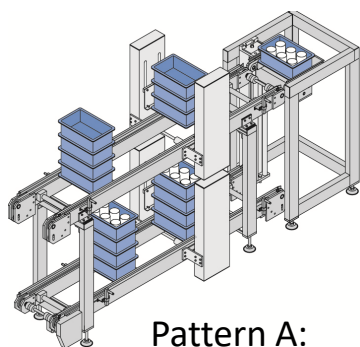
# Tray Changer



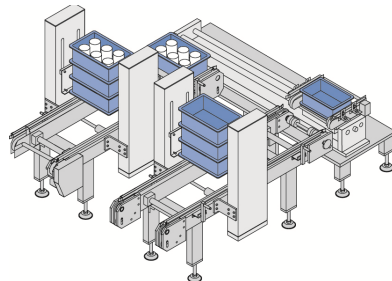
NKE' Tray Changer is on left side. Please select pattern A~C, and fill the blanks of pattern order sheet behind.



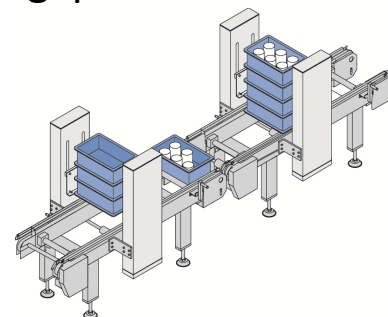
You can select a tray changer from the following pattern A ~ C.



Pattern A:  
Vertical Type



Pattern B:  
U-Shape Type



Pattern C:  
Straight Line Type

**Point①: Combining by Our Original Products!**

you can easily repair, replace, or purchase only the component parts such as air cylinders and conveyors, because those are NKE standard products.

**Point②: Don't need to replace your using containers!**

You can use your container as it is.

Width of container(hook insertion side) and length of container(conveying direction side):It can handle from 250 to 600 mm.

**Point③: Suggesting various other patterns based on our request !**

We can determine the price and final specifications and make a proposal by just letting the customer provide us with some specs.

Please continuing on the custom-made sheet of back page to get your quote and drawing!

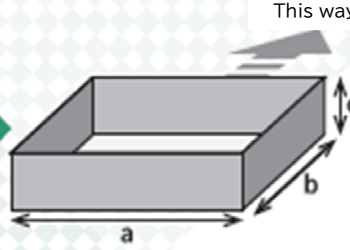
# Custom-Made Sheet

## ■Select Items on each type

	Pattern A:	Pattern B:	Pattern C:
	Vertical Type	U-shape Type	Straight line Type
Container's direction	Top to Bottom / Bottom to Top	Loading Side / Unloading Side	Loading Side / Unloading Side
In the Container	Upper full empty	Loading full empty	Loading full empty
	Lower full empty	Unloading full empty	Unloading full empty
Conveyor's Height	Upper mm	mm	mm
	Lower mm		
Place of Lifting Cylinder	Center Side	- -	- -
Conveyor's Height	- -	- -	Need No Need

## ■Select Items in all types

Bottom Surface of Container	Uneven	Flat		
Container's width (A)	mm			
Container's length (B)	mm			
Container's height (C)	mm			
Empty Container's weight	kg			
Full Container's weight	kg			
Containers per stack	Container			
Stacks number	stacks			
Stock of Flex-tac	Include Not Include			
	Air Motor	No Flex-tac		
Way of driving Flex-tac				
Cover	No Need	Need		
Main Air (3sets)	No Need	Need		
Air	Only Joint	Joint include piping		
Manifold Specification	No Need	With Terminal Box		
Controller	With Cable	With Terminal Box	With Terminal Box(CC LINK)	No
Time of Changing Container	Sec			



If you have any questions, please feel free to contact us as follows.

You can watch Tray Changer movie on our HP.  
<https://www.nke.co.jp/technology/theater/>  
 Please select which types do you need.

## NKE Corporation

◆ Head office Works  
 366-1, Hishikawa-cho, Hazukashi, Fushimi-ku, Kyoto, Japan

◆ HP : <https://www.nke.co.jp/>

◆ E-mail : [promotion@nke.co.jp](mailto:promotion@nke.co.jp)

© 2020 NKE Corporation

◆Please kindly understanding for changing the contents of this leaflet without your approval.

L-CS200702

